

# Mi-T-M<sup>®</sup> CORPORATION

8650 Enterprise Drive, Peosta IA 52068

563-556-7484 / Fax 563-556-1235

[www.mitm.com](http://www.mitm.com)

## PARTS LIST FOR *HHM SERIES*

### FUEL NOZZLE:

HHM-3506: 2.25 80°B Delavan

### BTU INPUT:

HHM-3506: 386,400

This Parts Listing has been compiled for your benefit. You can be assured your hot water pressure washer was constructed and designed with quality and performance in mind. Each component has been rigorously tested to insure the highest level of acceptance.

The contents of this Parts Listing are based on the latest product information available at the time of publication. The manufacturer reserves the right to make changes in price, color, materials, equipment, specifications or models at any time without notice.

**WARNING**

THIS IS A PROFESSIONAL HIGH PRESSURE, HOT WATER PRESSURE WASHER. CAUTION SHOULD BE OBSERVED WHEN USING OR REPAIRING THIS UNIT! READ AND FOLLOW THE SAFETY WARNINGS LISTED BELOW BEFORE ATTEMPTING ANY REPAIRS ON THIS PRESSURE WASHER!

### SAFETY WARNINGS

1. NEVER alter or modify the equipment. Be sure any accessory items and system components being used will withstand the pressure developed. Use only genuine manufacturer parts for repair of your pressure washer. Failure to do so can cause hazardous operating conditions and will VOID warranty.
2. This unit has multiple safety devices which should never be altered, modified, removed or made inoperable. If a device fails, replace immediately with only genuine manufacturer replacement parts.
3. Electrical System: The unit must be connected to a properly grounded electrical source which provides the correct voltage and adequate fuse protection. Disconnect from power source when making repairs. Never assume the pressure washer is safe to work on just because it is not operating. It could restart at any time. Never operate the pressure washer with electrical enclosures open, removed or damaged. Do not allow metal components of the pressure washer to come in contact with live electrical components.
4. Do not operate the unit without all protective covers in place. Know how to stop and bleed pressures quickly. Be thoroughly familiar with controls.
5. Before servicing the unit, turn unit off, and trigger the gun to release trapped pressure. Do not make repairs while the unit is running. Service in a clean, dry, flat area.
6. After testing the machine, DO NOT leave the pressurized unit unattended. Shut off the unit and release trapped pressure before leaving.

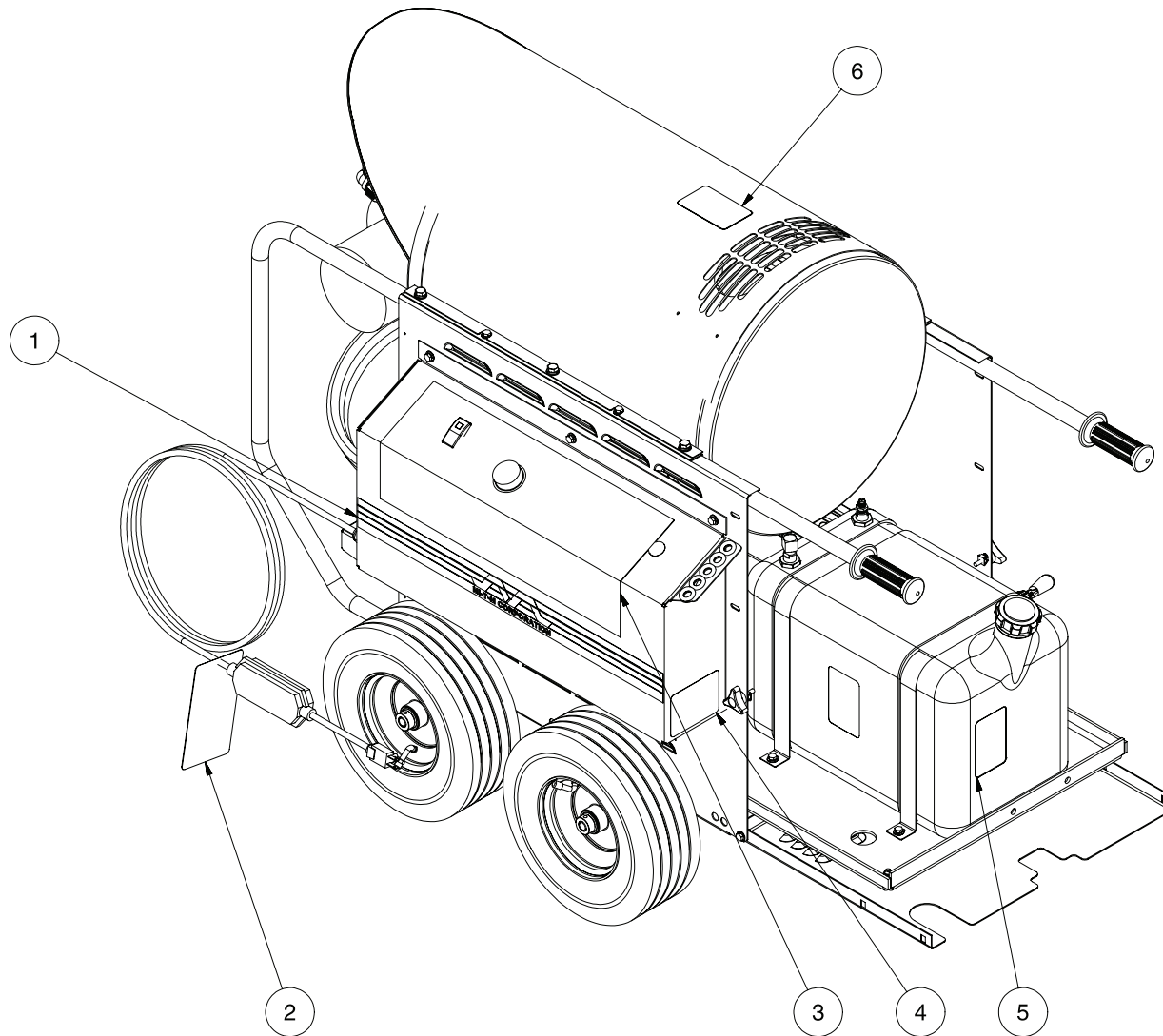
### Table of Contents

|  |           |
|--|-----------|
| <b>SPECIFICATIONS FOR HHM-3506-0E10 .....</b>  | <b>3</b>  |
| <b>SAFETY DECAL PLACEMENT .....</b>  | <b>4</b>  |
| <b>HHM UNIT ASSEMBLY .....</b>   | <b>6</b>  |
| <b>HHM CHASSIS ASSY.....</b>   | <b>8</b>  |
| <b>ELECTRICAL BOX FOR HHM .....</b>  | <b>10</b> |
| <b>HEAT EXCHANGER ASSEMBLY.....</b>  | <b>12</b> |
| <b>BURNER ASSEMBLY (4-0017 AFTER SERIAL #15008085 &amp; 4-0018 AFTER SERIAL #15008463) .....</b> | <b>14</b> |
| <b>FUEL TANK ASSEMBLY (850-0303) .....</b>   | <b>16</b> |
| <b>WIRE SCHEMATIC FOR HHM .....</b>  | <b>18</b> |
| <b>WIRE DIAGRAM FOR HHM .....</b>  | <b>19</b> |

## SPECIFICATIONS FOR HHM-3506-0E10

| MODEL NUMBER                           | HHM-3506-0E10  |
|--|--|
| <b>Operating Pressure (PSI/Bar):</b>   | 3500 max   |
| <b>Water Volume (GPM/lpm):</b>         | 6.0 max  |
| <b>Outlet Water Temperature (F/C):</b> | 250°F max (150°F Temp Rise at 4 GPM)                                     |
| <b>Electrical System:</b>              |  |
| Phase                                  | Single   |
| Hz                                     | 60   |
| Voltage                                | 115  |
| Total System Amperage                  | 3.2  |
| On/ Off Switch                         | Rocker Switch  |
| <b>Water System:</b>                   |  |
| Inlet Water Strainer                   | Removable Thimble for inspection and cleaning of Stainless Steel Screen  |
| Float Tank Strainer                    | Removable Strainer for inspection and cleaning of Stainless Steel Screen |
| Float Tank Capacity (Gal. / Liters)    | 4.75/18.0  |
| <b>Burner Fuel System:</b>             |  |
| Fuel Type                              | No.1 or No.2 Fuel Oil, Diesel or Kerosene                                |
| Fuel Capacity (Gal. / liters)          | 10/37.8  |
| Fuel Filter/ Water Separator           | Spin on (10 micron) filter/ E-Z water drain                              |
| Fuel Pump                              | Two Line, Single Stage   |
| Fuel Pressure (PSI / BAR)              | 150/10.4   |
| Fuel Nozzle                            | 2.25 80° B Delavan   |
| Fuel Consumption (GPH / LPH)           | 2.76   |
| <b>Burner Electrical System:</b>       |  |
| Voltage                                | 115  |
| Amps                                   | 3.0  |
| <b>Heat Exchanger:</b>                 |  |
|  | Horizontal, Side Fired, Pancake Coil                                     |
| BTU Input                              | 386,400  |
| Efficiency                             | 75% with #2 Fuel Oil/ Diesel   |
| Smoke Density                          | 0-3 per ASTM D2156   |
| <b>Safety Relief:</b>                  |  |
| Flow Switch                            | Shuts off burner fuel supply upon trigger release                        |
| Fuel Solenoid Valve                    | 115 Volt, controls fuel supply to burner                                 |
| Safety Relief                          | Relieves excess system pressure  |
| <b>Unit Net Weight (lbs/kg)</b>        | 423/192  |
| <b>Unit Shipping Weight (lbs/kg)</b>   | 543/247  |
| <b>Unit Net Dimension (in/cm)</b>      | 56.5Lx30Wx41.5H/143.5Lx76Wx105.5H  |
| <b>Unit Shipping Dimension (in/cm)</b> | 57.5Lx35.5Wx59.5H/146Lx90Wx151H  |
| <b>Warranty:</b>                       |  |
| Unit                                   | (2) Two Year Limited Warranty  |
| Coil                                   | (5) Five Year Limited Warranty   |

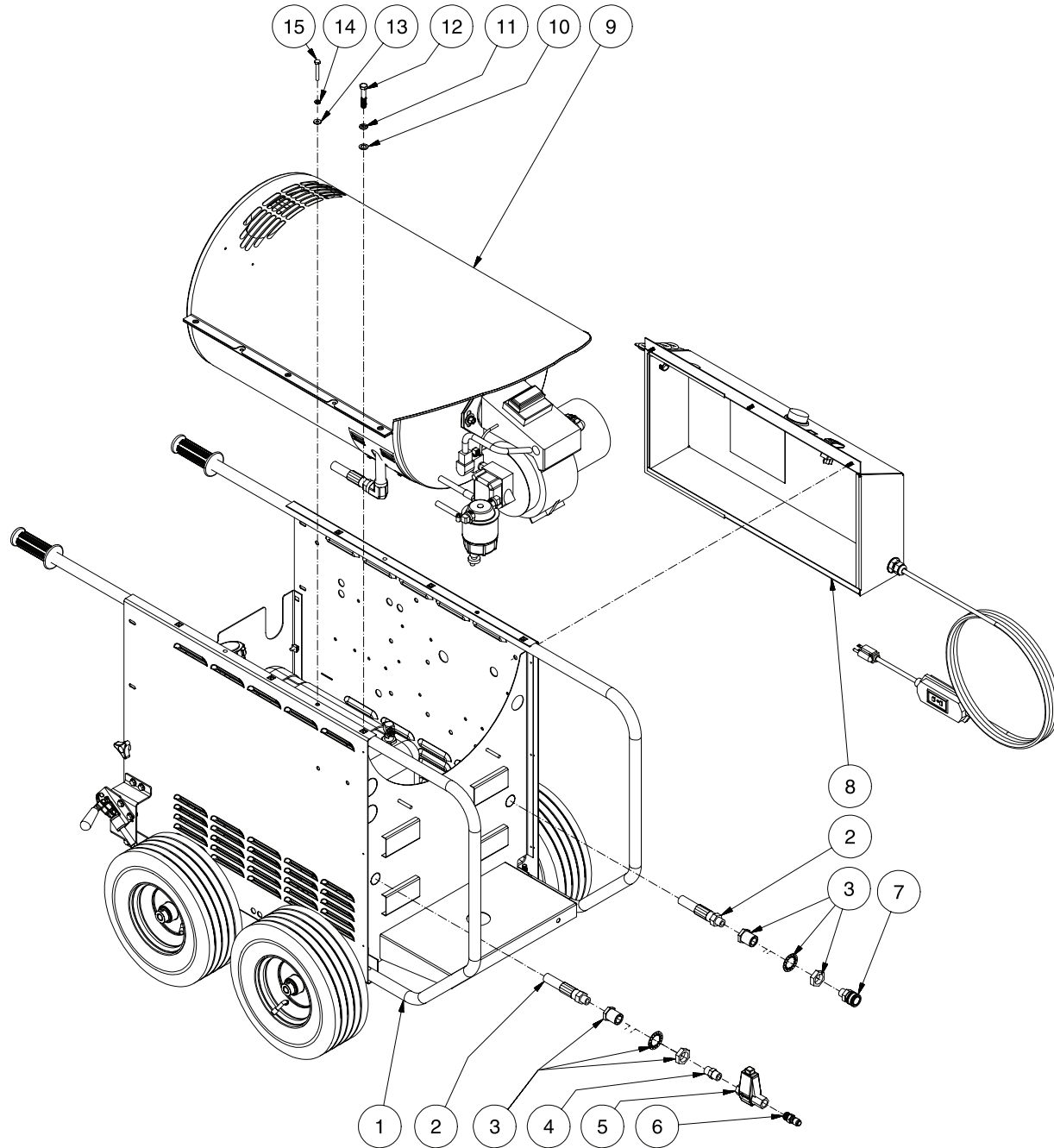
# SAFETY DECAL PLACEMENT



HHM-SERIES SAFETY DECALS PLACEMENT-102006-PO

| SAFETY DECAL PLACEMENT |  |          |      |
|------------------------|--|----------|------|
| REF. #                 | DESCRIPTION                                      | PART #   | QTY. |
| 1                      | Decal Mi-T-M Stripe with Logo                    | 34-0725  | 2    |
| 2                      | Hang Tag: Warning: Risk of Electrocution (E/F/S) | 34-1035  | 1    |
| 3                      | Decal- Warning/Caution/Operation (E/F/S)         | N/A Sep. | 1    |
| 4                      | Decal- Data Plate                                | N/A      | 1    |
| 5                      | Decal- Caution: Risk of Fire (E/F/S)             | N/A Sep. | 1    |
| 6                      | Decal- Warning: Hot Surface (E/F/S)              | N/A Sep. | 1    |
| 7                      | Decal Set  | 34-9006  | 1    |

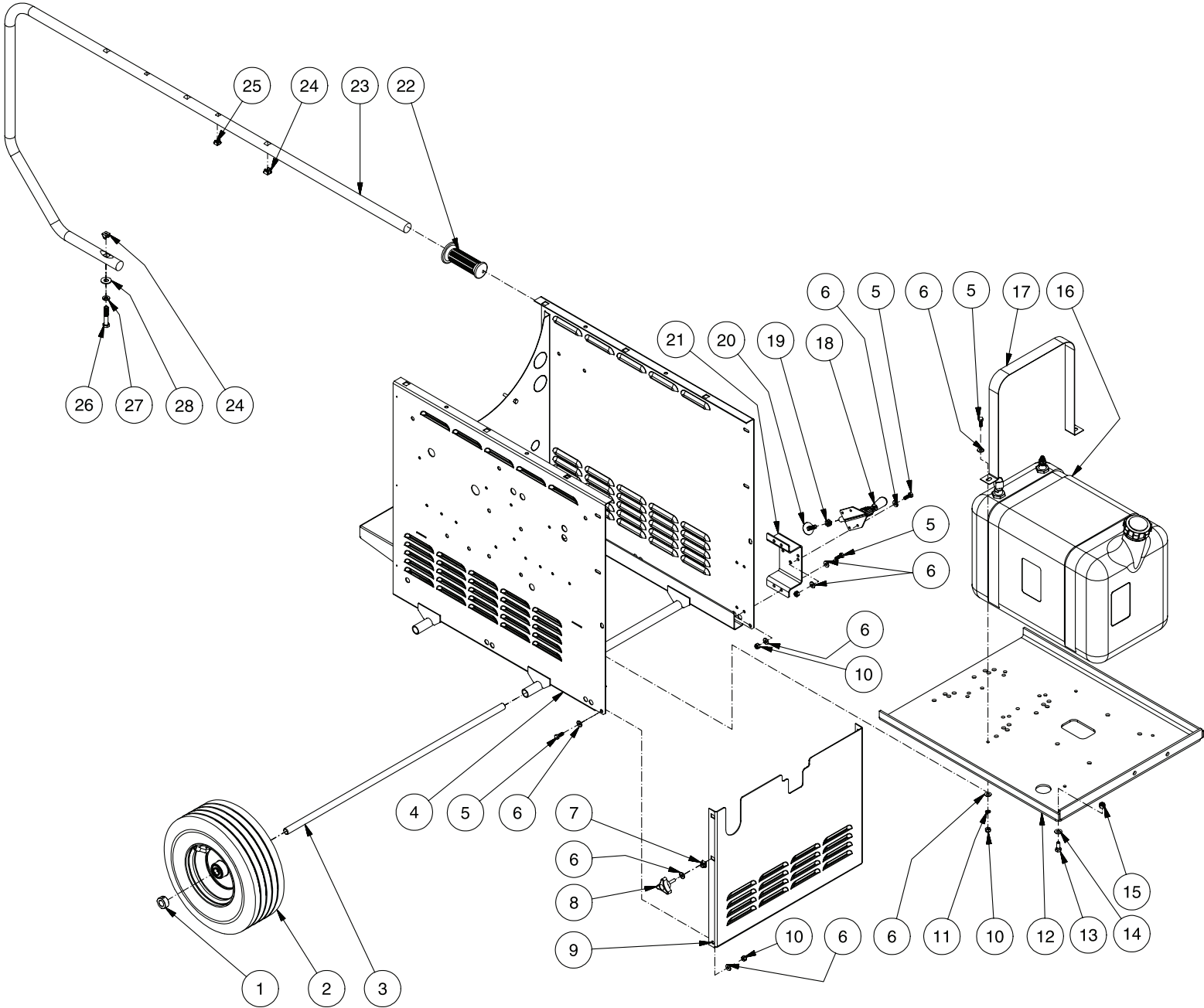
# HHM UNIT ASSEMBLY



HHM-UNIT ASSY-080706-PO

| UNIT ASSEMBLY |                      |         |      |
|---------------|----------------------|---------|------|
| REF. #        | DESCRIPTION          | PART #  | QTY. |
| 1             | Chassis Assy         | -       | 1    |
| 2             | Hose                 | 15-0194 | 2    |
| 3             | Bulkhead Fitting     | 24-0274 | 2    |
| 4             | Nipple               | 24-0010 | 1    |
| 5             | Flow Switch          | 22-0348 | 1    |
| 6             | Quick Connect Plug   | 17-0005 | 1    |
| 7             | Quick Connect Socket | 17-0007 | 1    |
| 8             | Electric Box Assy    | -       | 1    |
| 9             | Heat Exchanger Assy  | -       | 1    |
| 10            | Washer               | 28-0030 | 6    |
| 11            | Lockwasher           | 29-0008 | 6    |
| 12            | Bolt                 | 27-0121 | 6    |
| 13            | Washer               | 28-0002 | 4    |
| 14            | Lockwasher           | 29-0006 | 4    |
| 15            | Bolt                 | 27-0019 | 4    |

# HHM CHASSIS ASSY

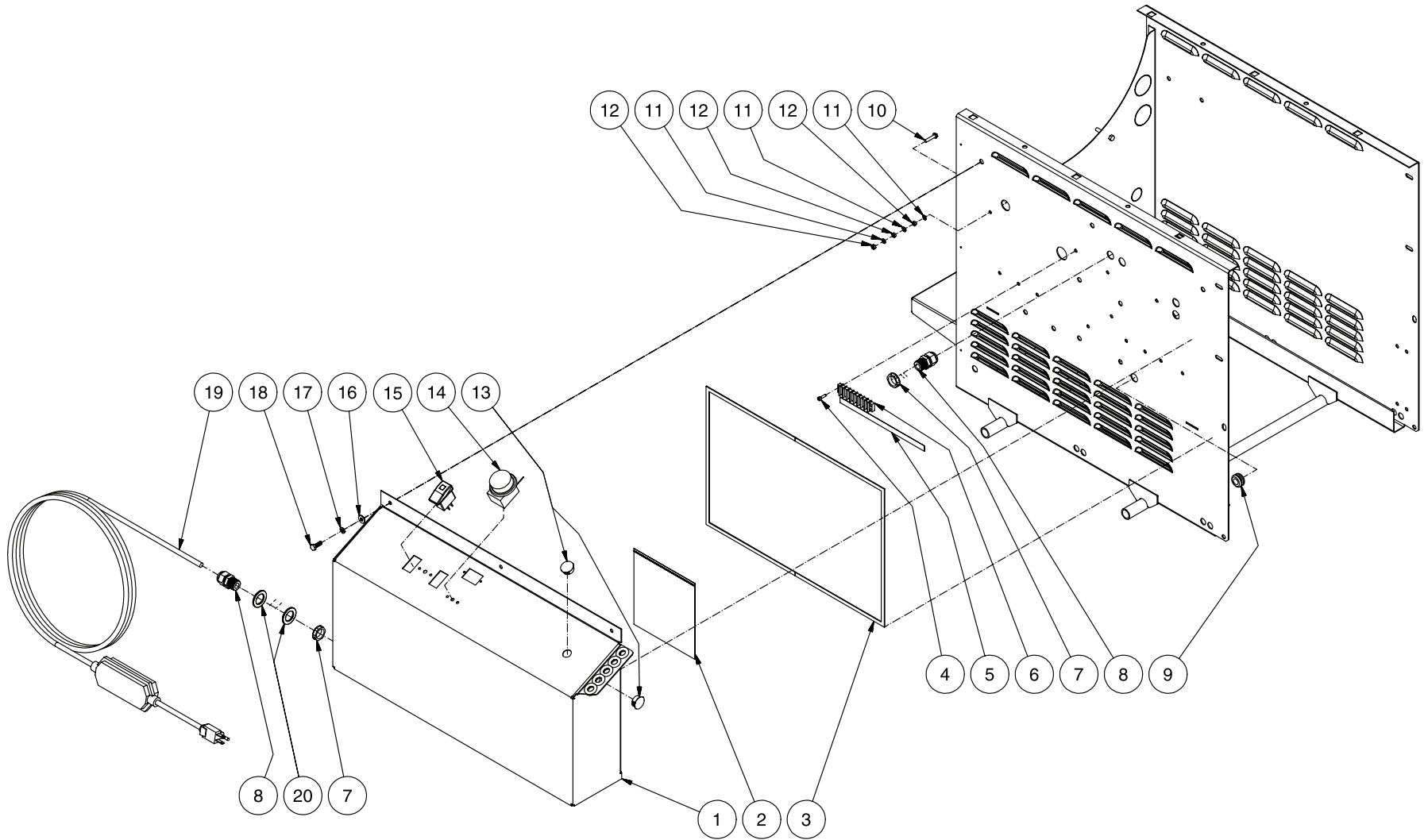


HHM-CHASSIS ASSY-080406-PO



| CHASSIS ASSEMBLY |                      |            |      |  |        |                |            |      |
|------------------|----------------------|------------|------|--|--------|----------------|------------|------|
| REF. #           | DESCRIPTION          | PART #     | QTY. |  | REF. # | DESCRIPTION    | PART #     | QTY. |
| 1                | Collar               | 33-0351    | 4    |  | 16     | Fuel Tank Assy | 850-0303   | 1    |
| 2                | Wheel                | 14-0006    | 4    |  | 17     | Fuel Tank      | 20-0579A01 | 2    |
| 3                | Axle                 | 20-0524    | 2    |  | 18     | Toggle Clamp   | 33-0400    | 1    |
| 4                | Chassis Assembly     | 5-0230A18  | 1    |  | 19     | Bolt           | 30-0004    | 1    |
| 5                | Bolt                 | 27-0015    | 14   |  | 20     | Elevator Bolt  | 27-9550    | 1    |
| 6                | Washer               | 28-0002    | 30   |  | 21     | Bracket        | 20-0825A18 | 1    |
| 7                | Clip Nut             | 30-6026    | 2    |  | 22     | Handle Grip    | 7-0167     | 2    |
| 8                | Knob                 | 07-0168    | 2    |  | 23     | Handle         | 7-0166A18  | 2    |
| 9                | Access Door          | 20-0525A18 | 1    |  | 24     | Clip Nut       | 30-6025    | 8    |
| 10               | Locknut              | 30-0155    | 14   |  | 25     | Clip Nut       | 30-6027    | 4    |
| 11               | Lockwasher           | 29-0006    | 8    |  | 26     | Bolt           | 27-0121    | 2    |
| 12               | Baseplate-Motor Pump | 05-0152A18 | 1    |  | 27     | Lockwasher     | 29-0008    | 2    |
| 13               | Bolt                 | 27-0066    | 1    |  | 28     | Flatwasher     | 28-0023    | 2    |
| 14               | Washer               | 28-0003    | 1    |  |        |                |            |      |
| 15               | Locknut              | 30-0157    | 1    |  |        |                |            |      |

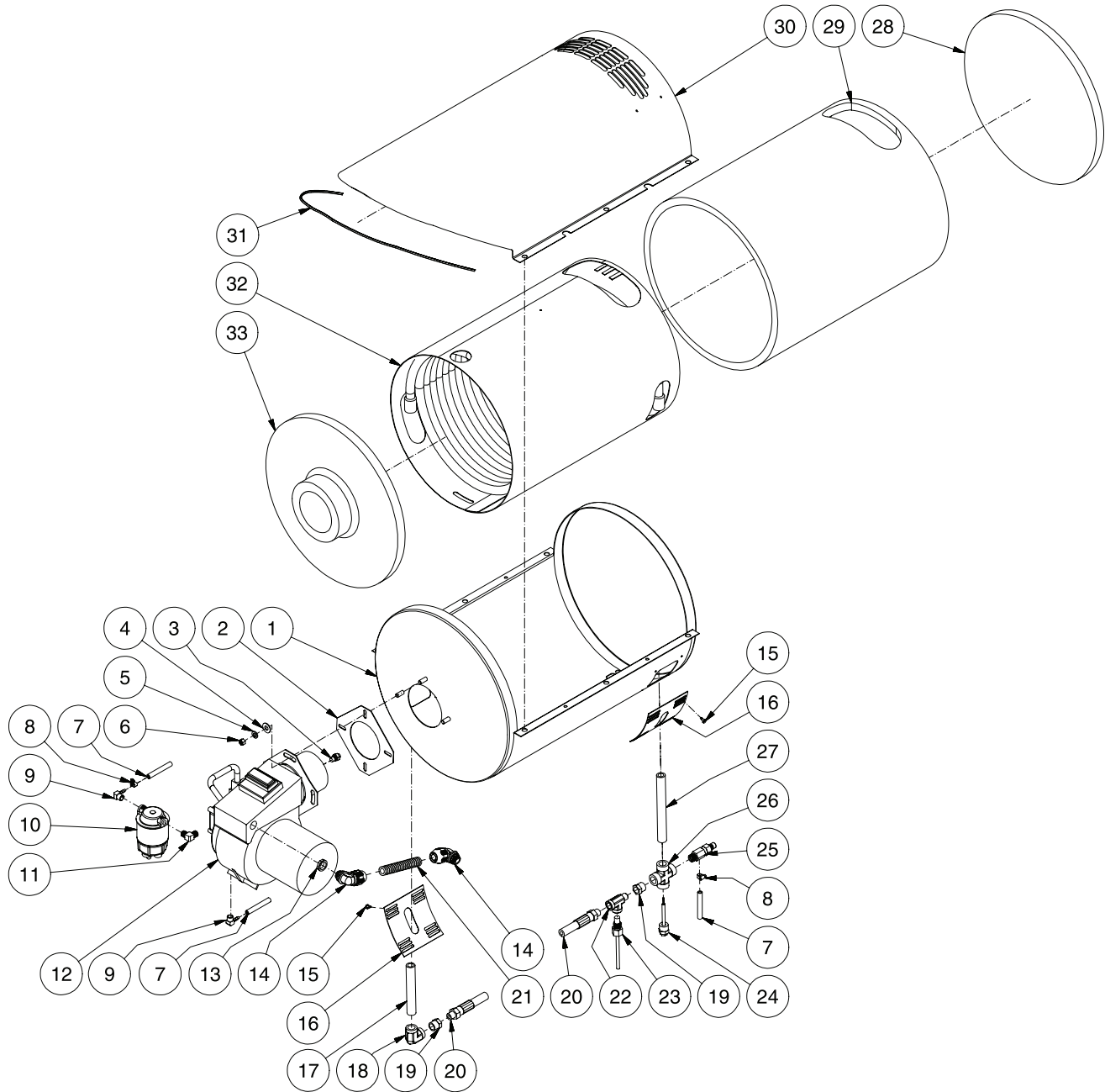
# ELECTRICAL BOX FOR HHM



HHM-ELECTRIC BOX ASSY-080706-PO

| ELECTRIC BOX FOR HHM            |                       |            |      |  |        |                     |         |      |
|---------------------------------|-----------------------|------------|------|--|--------|---------------------|---------|------|
| REF. #                          | DESCRIPTION           | PART #     | QTY. |  | REF. # | DESCRIPTION         | PART #  | QTY. |
| 1                               | Electric Box Assy     | 20-0824A18 | 1    |  | 12     | Nut                 | 30-6001 | 3    |
| 2                               | Envelope Zip Lock     | 41-0184    | 1    |  | 13     | Plug                | 39-0014 | 2    |
| 3                               | Gasket                | 26-0240    | 1    |  | 14     | Thermostat          | 32-0734 | 1    |
| 4                               | Bolt                  | 27-8835    | 2    |  | 15     | Switch              | 32-0731 | 1    |
| 5                               | Decal- Terminal Strip | 34-0867    | 1    |  | 16     | Washer              | 28-0002 | 3    |
| 6                               | Terminal Strip        | 32-0436    | 1    |  | 17     | Lockwasher          | 29-0006 | 3    |
| 7                               | Locknut               | 32-0108    | 2    |  | 18     | Bolt                | 27-0015 | 3    |
| 8                               | Strain Relief         | 32-0437    | 2    |  | 19     | Cord                | 32-0268 | 1    |
| 9                               | Grommet               | 33-0001    | 1    |  | 20     | Washer              | 28-0051 | 2    |
| 10                              | Bolt                  | 37-8807    | 1    |  |        | Decal Kit (Inc. 12) | 34-9037 |      |
| 11                              | Lockwasher            | 28-1009    | 3    |  |        |                     |         |      |
| *Must Order in One Foot Lengths |                       |            |      |  |        |                     |         |      |

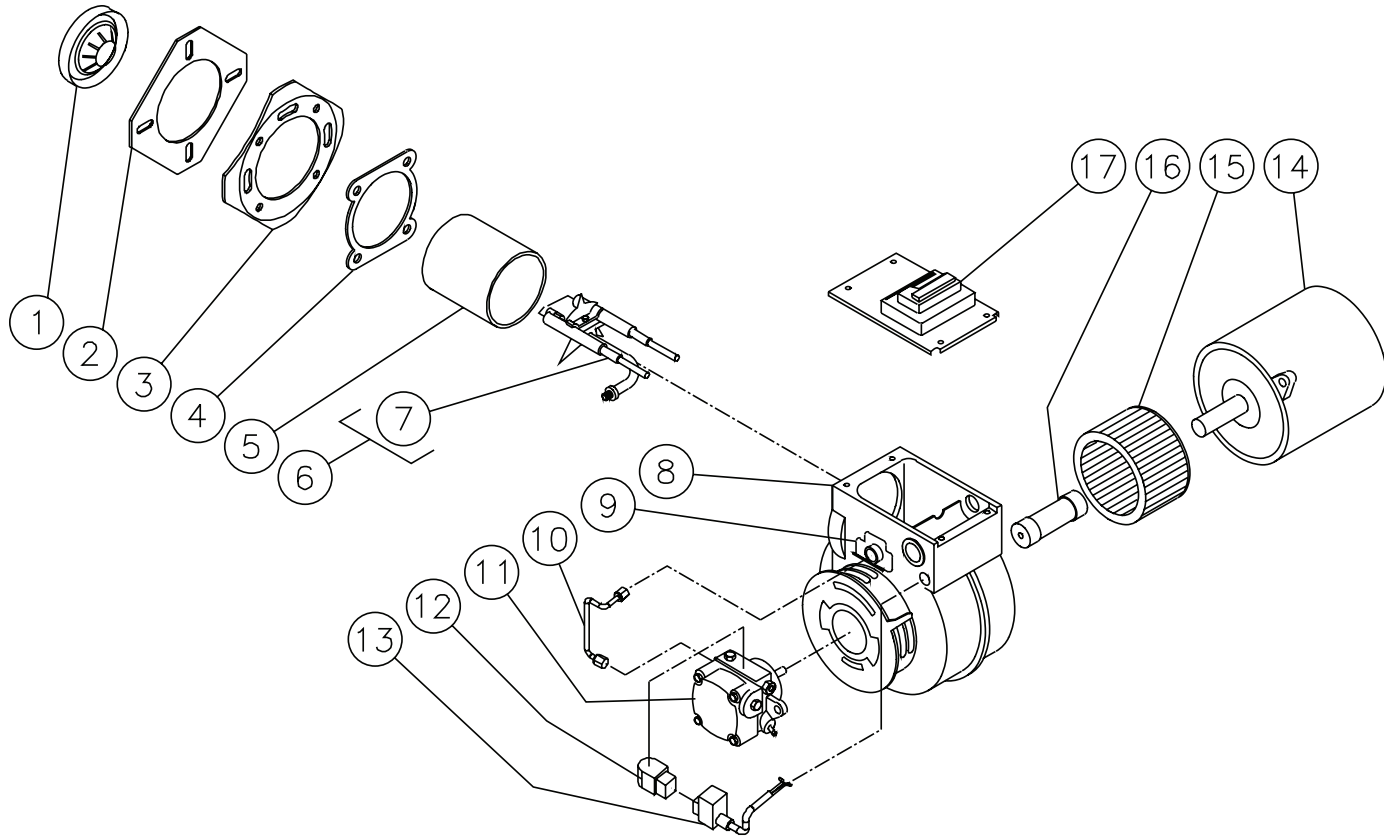
# HEAT EXCHANGER ASSEMBLY



HHM HEAT EXCHANGER ASSY-092106-PO

| HEAT EXCHANGER ASSEMBLY         |                                  |            |      |  |        |                               |          |      |
|---------------------------------|----------------------------------|------------|------|--|--------|-------------------------------|----------|------|
| REF. #                          | DESCRIPTION                      | PART #     | QTY. |  | REF. # | DESCRIPTION                   | PART #   | QTY. |
| 1                               | Bottom Wrap Assy                 | 20-0527A18 | 1    |  | 18     | Elbow                         | 24-0078  | 1    |
| 2                               | Gasket                           | 44-0108    | 1    |  | 19     | Bushing                       | 23-0016  | 2    |
| 3                               | Fuel Nozzle                      | 18-0090    | 1    |  | 20     | Hose                          | 15-0194  | 2    |
| 4                               | Flatwasher                       | 28-0023    | 3    |  | 21     | Conduit *(Two Feet Required)  | 32-0253  | 1    |
| 5                               | Lockwasher                       | 29-0008    | 3    |  | 22     | Tee                           | 23-0058  | 1    |
| 6                               | Nut                              | 30-0006    | 3    |  | 23     | Switch- Hi Limit              | 32-0798  | 1    |
| 7                               | Fuel Hose *(Eight Feet Required) | 15-0008    | 3    |  | 24     | Thermostat                    | 32-0734  | 1    |
| 8                               | Clamp                            | 42-0004    | 2    |  | 25     | Safety Relief Valve           | 22-0309  | 1    |
| 9                               | Elbow                            | 23-0054    | 2    |  | 26     | Cross                         | 24-0241  | 1    |
| 10                              | Filter                           | 19-0070    | 1    |  | 27     | Pipe                          | 24-0255  | 1    |
| 11                              | Elbow                            | 23-0130    | 1    |  | 28     | Insulation Disc               | 33-0346  | 1    |
| 12                              | Burner                           | 4-0017     | 1    |  | 29     | Insulation Blanket            | 850-0279 | 1    |
| 13                              | Locknut                          | 32-0108    | 1    |  | 30     | Shell                         | 21-0129  | 1    |
| 14                              | Conduit                          | 32-0254    | 2    |  | 31     | Edging *(Three Feet Required) | 33-0423  | 1    |
| 15                              | Bolt                             | 27-3062    | 8    |  | 32     | Coil Assy                     | 66-0014  | 1    |
| 16                              | Patch Plate                      | 20-0537A18 | 2    |  | 33     | Insulation Drum Head          | 33-0345  | 1    |
| 17                              | Pipe                             | 24-0246    | 1    |  |        |                               |          |      |
| *Must Order in One Foot Lengths |                                  |            |      |  |        |                               |          |      |

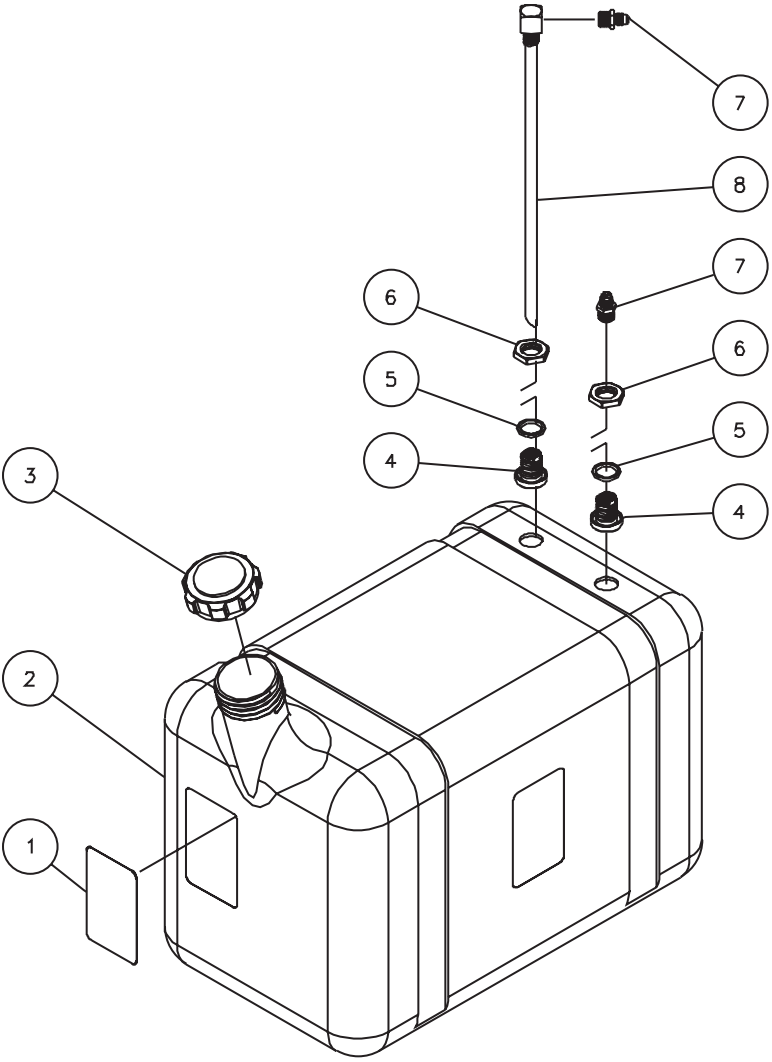
**BURNER ASSEMBLY (4-0017 AFTER SERIAL #15008085 & 4-0018 AFTER SERIAL #15008463)**



4-0017\_4-0018-021903-KZ

| BURNER ASSEMBLY (4-0017 AFTER SERIAL #15008085 & 4-0018 AFTER SERIAL #15008463) |                               |         |      |  |      |                                 |         |      |
|---|-------------------------------|---------|------|--|------|---------------------------------|---------|------|
| REF.  | DESCRIPTION                   | PART #  | QTY. |  | REF. | DESCRIPTION                     | PART #  | QTY. |
| 1   | Burner Head                   | 44-0011 | 1    |  | 12   | Fuel Solenoid                   | 46-1020 | 1    |
| 2   | Mounting Gasket               | 44-0108 | 1    |  | 13   | Cord Set                        | 44-0122 | 1    |
| 3   | Flange                        | 44-0109 | 1    |  | 14   | Motor (4-0017)                  | 2-0068  | 1    |
| 4   | Gasket                        | 26-0138 | 1    |  | -    | Motor (4-0018)                  | 2-0067  | 1    |
| 5   | Air Tube                      | 44-0110 | 1    |  | 15   | Blower Wheel                    | 44-0071 | 1    |
| 6   | Nozzle Line Assembly (Inc. 7) | 44-0113 | 1    |  | 16   | Coupler                         | 44-0014 | 1    |
| 7   | Electrode Kit                 | 44-0114 | 1    |  | 17   | Ignition Transformer (4-0017)   | 44-0017 | 1    |
| 8   | Burner Housing                | 44-0033 | 1    |  | -    | Ignition Transformer (4-0018)   | 44-0015 | 1    |
| 9   | Escutcheon Plate              | 44-0031 | 1    |  |      | Complete Burner (Includes 1-17) | 4-0017  |      |
| 10  | Fuel Line                     | 44-0026 | 1    |  |      | Complete Burner (Includes 1-17) | 4-0018  |      |
| 11  | Fuel Pump                     | 3-0236  | 1    |  |      |                                 |         |      |

FUEL TANK ASSEMBLY (850-0303)



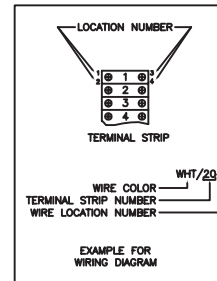
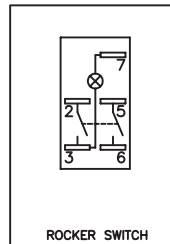
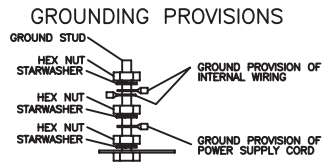
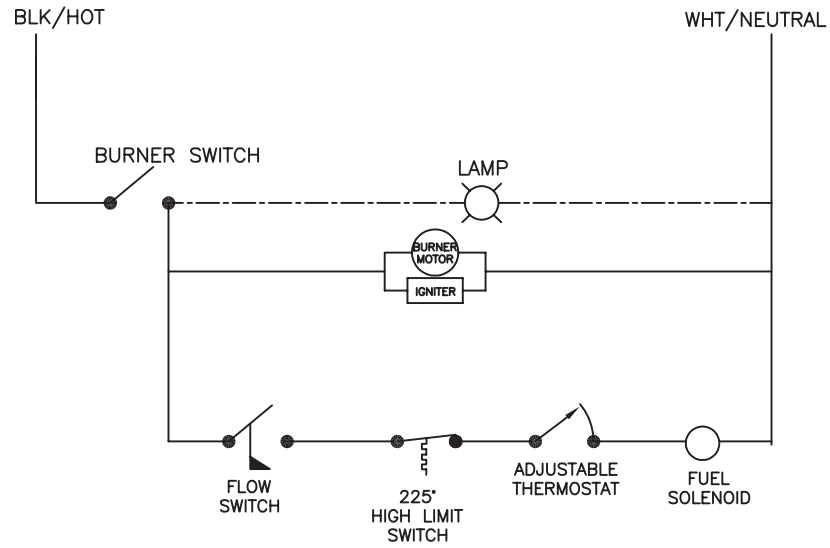
850-0303-032101-BAR



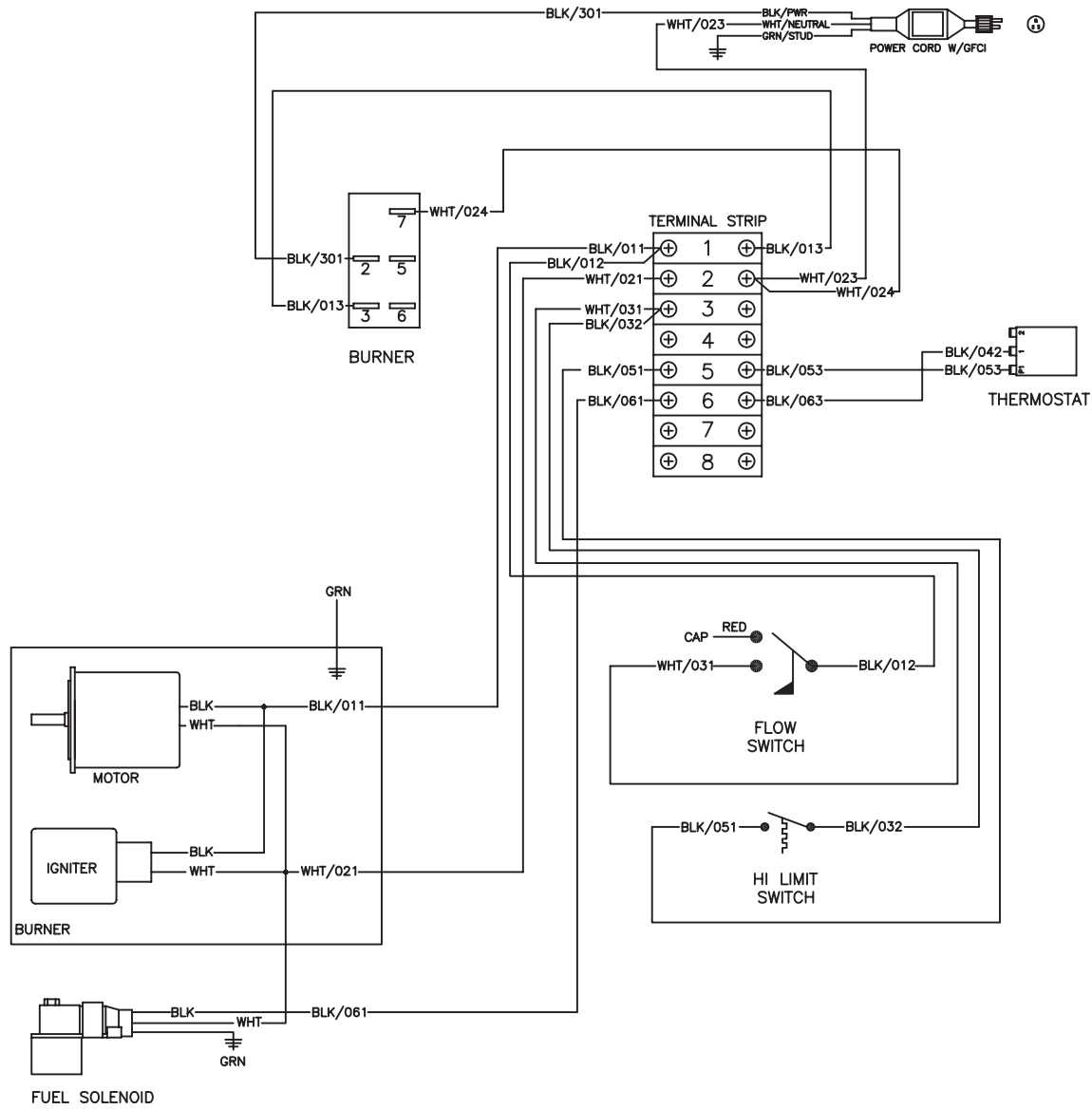
850-0303-34-9037-032101-BAR

| <b>FUEL TANK ASSEMBLY (850-0303)</b> |  |               |             |
|--------------------------------------|--|---------------|-------------|
| <b>REF. #</b>                        | <b>DESCRIPTION</b>                               | <b>PART #</b> | <b>QTY.</b> |
| 1                                    | Decal- Caution: Risk of Fire (E/S) (See 34-9008) | N/A Sep.      | 1           |
| 2                                    | Fuel Tank  | 12-0126       | 1           |
| 3                                    | Vented Fuel Cap                                  | 12-0033       | 1           |
| 4                                    | Bulkhead Fitting                                 | 23-0408       | 2           |
| 5                                    | O-ring   | 25-0427       | 2           |
| 6                                    | Nut  | 23-0409       | 2           |
| 7                                    | Flare Fitting                                    | 23-0247       | 2           |
| 8                                    | Fuel Pick-up                                     | 33-0352       | 1           |
|                                      | Safety Decal Kit (Inc. 1)                        | 34-9037       |             |

# WIRE SCHEMATIC FOR HHM



# WIRE DIAGRAM FOR HHM



WIRE DIAGRAM SCHEMATIC HHM-3506-0E10

WIRE DIAGRAM HHS-HHM-092106-PO

